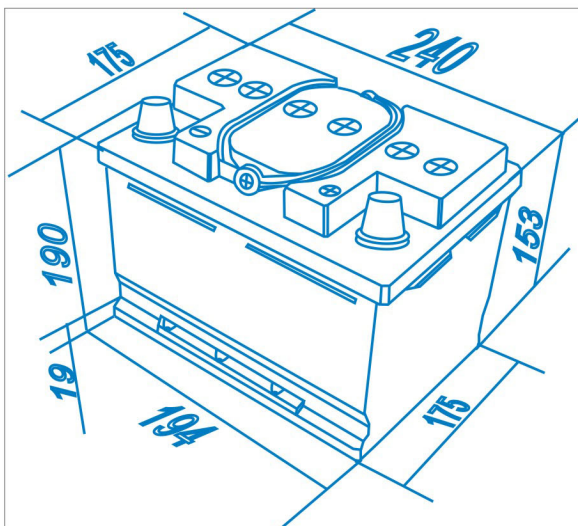




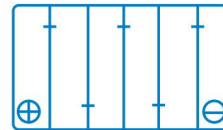
56221 12V 62 AH

TYPE	DIN Gr. No.	L 2
	EIN Type	562021048
	DIN Type	56221
Nominal Voltage (v)		12 (v)
Capacity	20 Hr (ah)	62AH
	RC (min)	98
CCA (-18°C)	EN (A)	480A
	DIN (A)	280A
Dimension $\pm 1\text{mm}$	Length	240mm (9.45 inches)
	Width	175mm (6.89 inches)
	Height	190mm (7.48 inches)
	Total Height	190mm (7.48 inches)
Approx Weight	Dry (kg)	
	Wet (kg)	

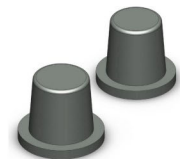
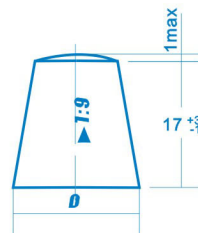


Dimensions

Layout



Terminal



D	
+	-
19.5 ^{+0.3}	17.9 ^{+0.3}

Layout and Type